

《《 PRODUCT BULLETIN 》》

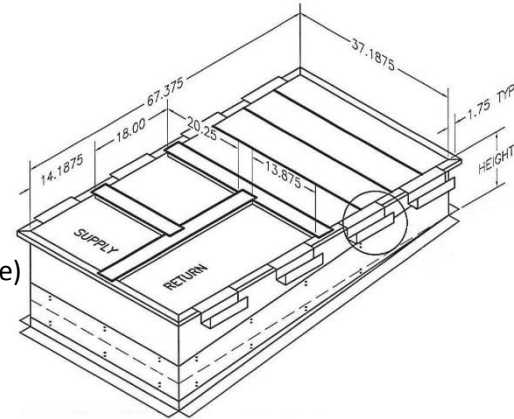
DATE: September 4, 2018 **BB#:** CF-C-PB0918-01
TO: All CanFab Carrier Customers
FROM: David Cole, Director of Sales & Marketing
SUBJECT: Structurally Calculated Adjustable Pitch Curbs

STRUCTURALLY CALCULATED ADJUSTABLE PITCH CURBS NOW AVAILABLE FROM CANFAB!

CanFab is pleased to announce the availability of Structurally Calculated Adjustable Pitch Curbs.

Product features include:

- Calculated for seismic and wind loads
- Single direction roof pitch with max. 1:12 slope (width or length)
- 11" or 14" base heights
- Integrated hold downs (1001 & 1003 Models)
- Corresponding calculated hold down clips (1005 & 1007 Models)
- Submittals with roof attachment instructions (wood, steel, concrete)
- Submittals with hold down clip location detail
- Shipped complete with gasket for unit attachment
- 16-gauge galvanized steel construction



Model Number	Configuration	Application
1001A-CB11F-CBCG	Finger Lock	2-3 Ton Small Pack
1001A-CB14F-CBCG	Finger Lock	2-3 Ton Small Pack
1003A-CB11F-CBCG	Finger Lock	3-5 Ton Small Pack
1003A-CB14F-CBCG	Finger Lock	3-5 Ton Small Pack
1005-CB11F-CBCG	Finger Lock	3-6.5 Ton Large Pack
1005-CB14F-CBCG	Finger Lock	3-6.5 Ton Large Pack
1007-CB11F-CBCG	Finger Lock	6-12.5 Ton Large Pack
1007-CB14F-CBCG	Finger Lock	6-12.5 Ton Large Pack
1001A-CB11W-CBCG	Welded	2-3 Ton Small Pack
1001A-CB14W -CBCG	Welded	2-3 Ton Small Pack
1003A-CB11W -CBCG	Welded	3-5 Ton Small Pack
1003A-CB14W -CBCG	Welded	3-5 Ton Small Pack
1005-CB11W -CBCG	Welded	3-6.5 Ton Large Pack
1005-CB14W -CBCG	Welded	3-6.5 Ton Large Pack
1007-CB11W -CBCG	Welded	6-12.5 Ton Large Pack
1007-CB14W -CBCG	Welded	6-12.5 Ton Large Pack

These items are available now from CanFab and can be found on our website quoting tool at www.CanFab.com (must be logged in and have access to Carrier lines... for login and/or access to CanFab accessories for Carrier, contact Dave Cole at dave@CanFab.com).